

User Manual

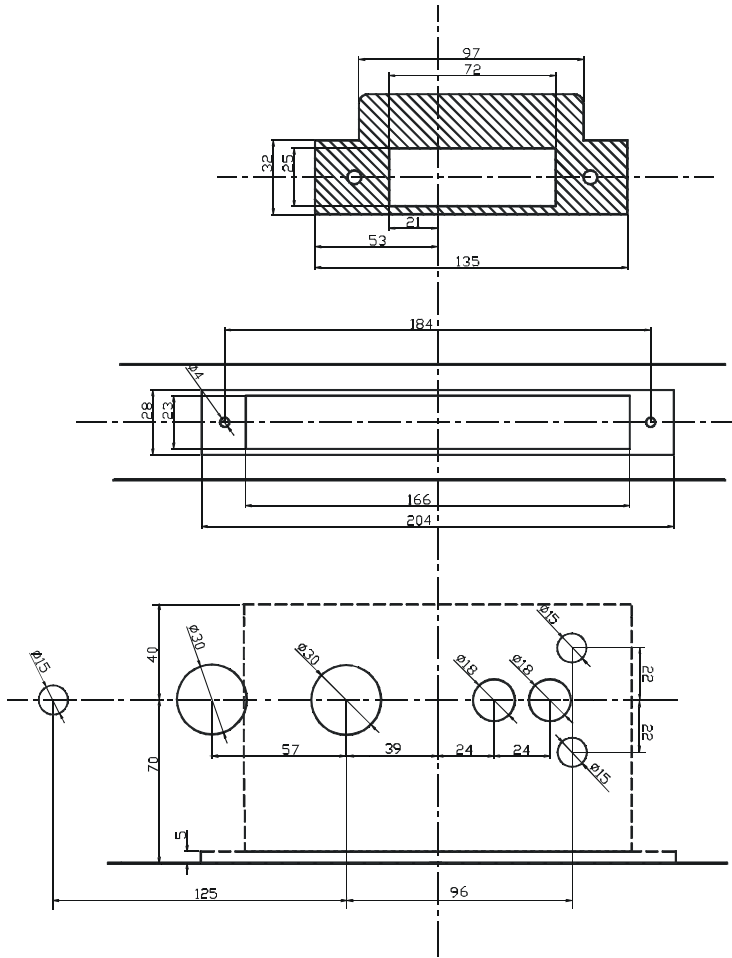
FL320 Series

FL320 Technology Specification

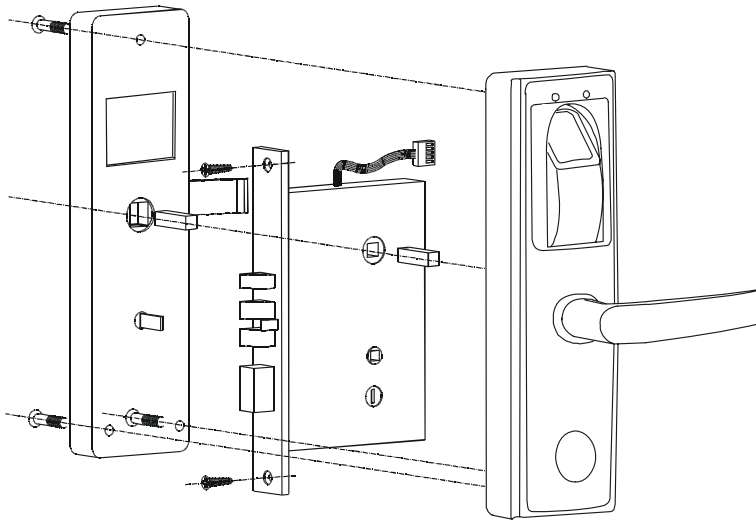
—Access:	Fingerprint & Mechanic Key
—Fingerprint collector:	Optical-based fingerprint collector
—Fingerprint collection time:	<0.8s
—Fingerprint matching:	<1s
—Fingerprint matching type:	1:N
—False acceptance rate(FAR):	<0.001%
—False rejection rate(FRR):	<1%
—Memory capacity:	32 /64/128users (Fingerprint templates)
—Password digits:	8
—Password capacity:	32 users
—LED (low voltage alarm):	<4.2V
—Operation voltage:	DC 6V
—Power	4 x 1.5V AA batteries > 8000 times authentication
—Operation Temperature:	-20℃ ~ 50℃
—Dimension	245L×154W×180D(mm)
—Net weight:	3.0 kg

Chapter I Installation

1. Deadblot box position



2. Illustration



3. Compents

No.	Description	No.	Description
1	Front lock body	7	Fix screws (*3)
2	Key hole	8	Five-latch electric control mortise bolt.
3	Finger windows	9	Back lock cover
4	Red LED for low power	10	Anti-lock shaft
5	Green LED for Operation	11	Battery box
6	Mortise shaft (*2)	12	Control cable

Chapter II Fast Operation introduction

Fingerprint identify

☆1. to register the master fingerprint

Three master fingerprints should be registered after finishing the master

Step I: Press “Register” button, (note: the button is in the back lock body, see ☆6) then two short Beep sound, place master fingerprint to the sensor window for capture the fingerprints, move the fingerprints until the light is off. And do twice so with the same fingerprints again.

Step II: the system will automatically judge the previous operation is success or fail. If one long Beep sound, the master fingerprint register completely; if three short Beep, it means operation is failed. The failure reason may be followings:

- (1)the feature of the fingerprints is few
- (2)the fingerprint places the incorrect position
- (3)the fingerprint places too light

Step III: repeat step I,II, until no response to press “Register” button, it means three master fingerprints are enrolled completely.

Notice: If the master fingerprints are less then 3pcs, we should register the new one, till the master fingerprints in the lock is not less than 3 pcs, or it will be not safe.

☆2. to register the user fingerprints

The user fingerprints are enrolled after 3pcs master fingerprints were registered completely.

Step I: Press door handle till the red light of the sensor window is on, put the master fingerprint on the sensor till the red light is off. If long beep sound, it means successful; if no response, it means failed, the system will be power off.

Step II: after the master fingerprints identify successfully, press “Register” immediately, then two short Beep, put the user fingerprint which you want to register to the sensor window till the red light is off. And do twice so with the same fingerprints again.

if no response, it means the identified fingerprint in the step I is not the master fingerprint, the system will be off automatically.

Step III: the system will automatically judge the previous operation is success or fail. If one long Beep sound, the user fingerprint register completely; if three short Beep, it means operation is failure. The failure reason may be followings:

- (1)the feature of the fingerprints is few
- (2)the fingerprint places the incorrect position
- (3)the fingerprint places too light

Notice: if there are three short beep after press “Register” button in the step II, it means the user fingerprints is enrolled fully.

☆3. to open lock by fingerprint

Press the lock handle till the red light of the sensor window is on, put the Fingerprint on the sensor window till the red light is off, if one long beep, it means operation is successful, if no response, it means the operation is failed, the system will be off automatically.

Notice: after the fingerprint matching successfully, the system is in the open model, press the handle to open lock; if we don't press the handle in 6 seconds, the system will be closed automatically.

☆4. to delete the pointed fingerprint

Step I: Identify the master fingerprint: Press door handle till the red light of the sensor window is on, put the master fingerprint on the sensor till the red light is off. If long beep sound, it means successful; if no response, it means failed, the system will be power off automatically.

Step II: after the master fingerprints identify successfully, press “Delete” button immediately, (the button is in the back lock body, see ☆6) two short beep, put the user fingerprint which will be deleted to the sensor window, until the red light of the sensor window is power off.

If no response, it means the identified fingerprint in the step I is not the master fingerprint, the system will be off automatically.

Step III: If one long Beep sound, the user fingerprint delete completely; if three short Beep, it means operation is failed.

★5. to delete all fingerprints

Step I: Identify the master fingerprint: Press door handle till the red light of the sensor window is on, put the master fingerprint on the sensor till the red light is off. If long beep, sound, it means successful; if no response, it means failed, the system will be power off automatically.

Step II: after the master fingerprints identify successfully, press “Delete” button six times immediately, till one long beep, it means operation is successful.

If no response, it means the identified fingerprint in the step I is not the master fingerprint, the system will be off automatically.

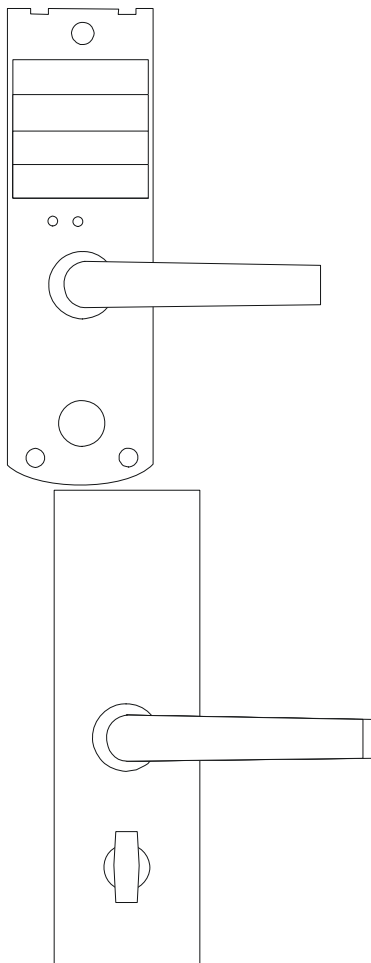
☆6: Undertake the back lock body

Step I: Unscrew the back lock button

Step II: Take the back lock cover off

Step III: Two operation button, (16) left one is “register” button (17) right one is “delete” button

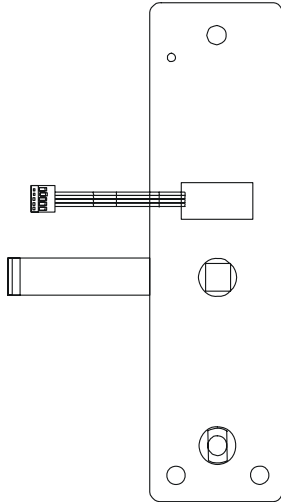
Back view of the lock



(Note: please unscrew the round base)

1 **7 Initialize the Lock**

Initialize: to unload the lock body, there is a small hole on the front lock body, the initialized button is in the small hole. To press this button with the small screwdriver, then one long beep sound, initialized operation is finished, the fingerprints and codes in the system are cleared.



☆8: *Unlock Mode Setting*

The lock can be settled as Unlock Mode when users need the lock to be open continuously.

StepI. Press the lock handle till the red light of the sensor window is on, put the Fingerprint on the sensor window till the red light is off, if one long beep, it means operation is successful, if no response, it means the operation is failed, the system will be off automatically.

StepII After the long beep, reset(Turn out and in)the anti-lock shaft of the back lock body rapidly. The lock will be in the Unlock Mode automatically. The lock can be open without any identification.

StepIII Cancel the Mode: repeat StepI, the mode cancelled

☆9: *Low battery alert*

Please change battery if any of the indication appears

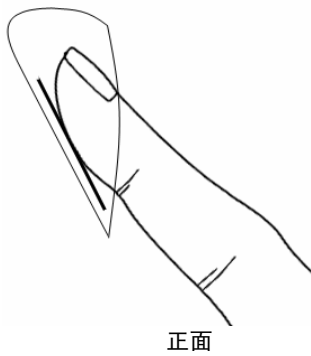
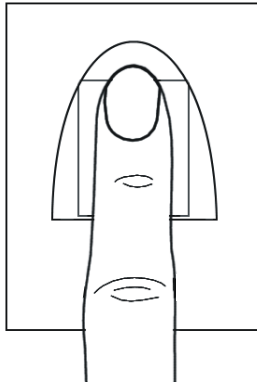
- 1、 Press the handle, the red light of the front lock lights for 6 seconds
- 2、After successful identification, the red and green light of front lock panel both light for 6 seconds.

☆ *Appendix*

1) **Correct pose to place finger**

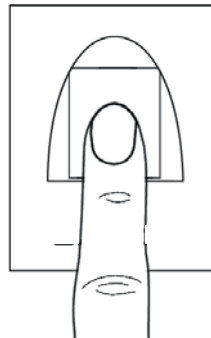
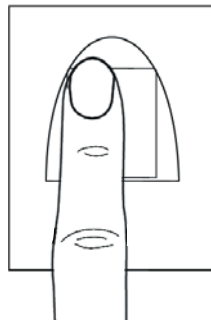
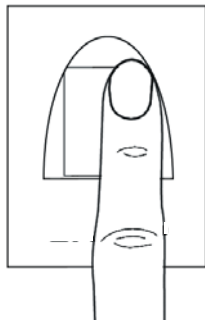
Face

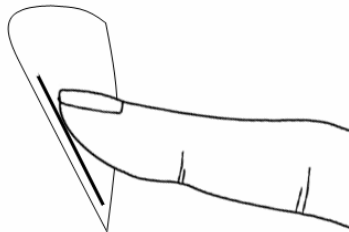
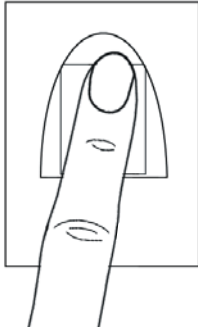
Side



1. Fingerprint Collector
2) Incorrect pose

2. Finger is touching the face of collector (quartz glass)





Precaution Before Use

please read user manual before use IEI-TECH Fingerprint Door Lock

1. The fingerprint collector is quartz glass, must be kept clean from the external impact or dirt. The fingerprint collector part must be cleaned now and then with a damp cloth to keep the surface clean. Mild glass cleaner can be used.
2. After placing your finger to unlock the door, slide down your fingertip to protect the collector surface from the contamination with dirt
3. It may be difficult to enroll if a finger is very dry. Then, make the finger moist or little only by rubbing your nose or face or rub in a small amount of hand lotion.
4. Batteries selection suggestion: high quality Alkali batteries. Void to use low quality and large discharge batteries.
5. Woman and children's fingerprint is light, suggest to enroll fingerprint of middle finger or thumb **GALOP**